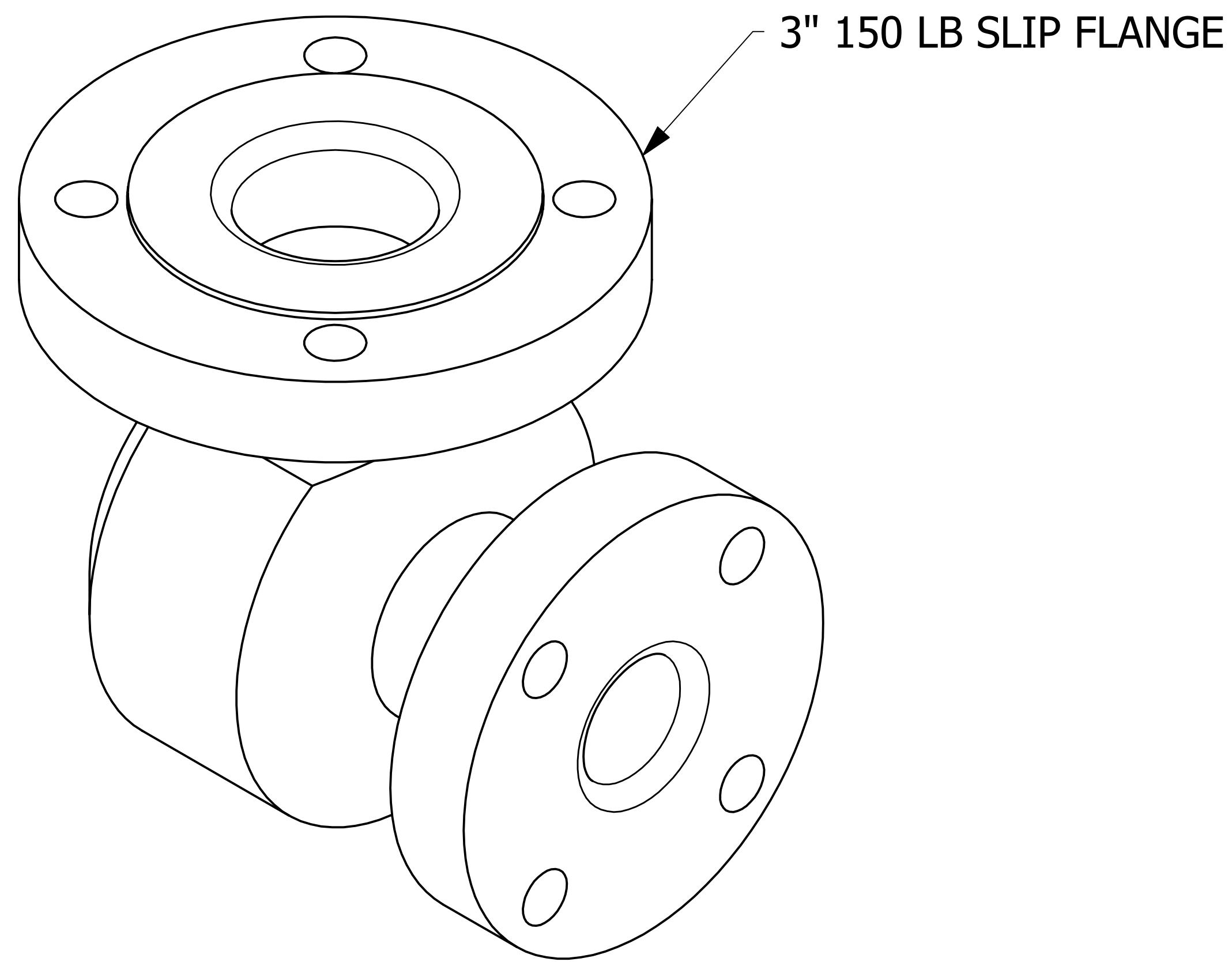
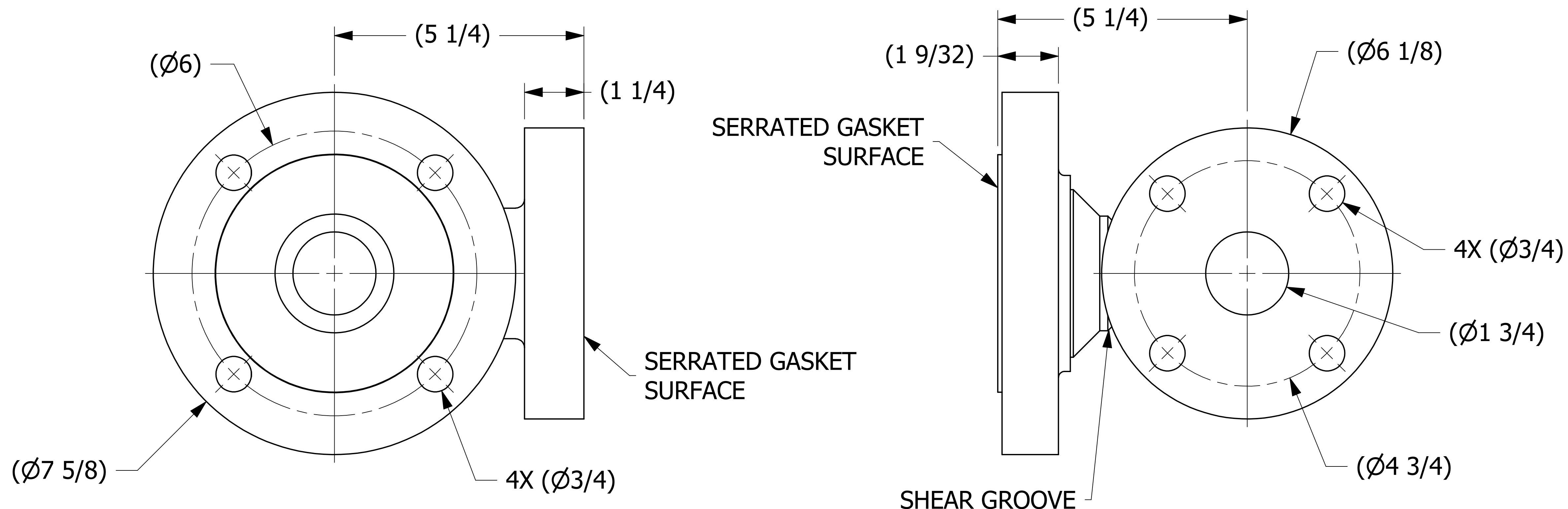


SALES DRAWING SALES DRAWING

SALES DRAWING SALES DRAWING



UNLESS OTHERWISE SPECIFIED DIMENSIONAL TOLERANCES FRACTIONAL: $\pm 1/16$ X.XX: $\pm .03$ X.XXX: $\pm .015$ ANGULAR: $\pm 1^\circ$ DEBURR ALL SHARP EDGES. ALL MACHINED SURFACES TO HAVE A 125 RMS FINISH UNLESS NOTED OTHERWISE. THIRD ANGLE PROJECTION	DRAWN BY:	GDS
	CHECKED BY:	WRB
	PROTOTYPE BY:	GDS
	PROTOTYPE DATE:	3/11/2013
	APPROVED FOR PRODUCTION BY:	TAK
	PRODUCTION DATE:	10/21/2014

A	TAK	10-21-14	RELEASED FOR PRODUCTION
REV	BY	DATE	DESCRIPTION
PART NAME: PIPE ELBOW 3"X2"X90°			
MATERIAL: SALCO PE			
PROJECT #:	100821	SHEET #:	1 OF 1
DRAWING #:	D35604	PART #:	HS3X2X90PE4
		SCALE:	3:4

THIS PRINT, PROPERTY OF SALCO PRODUCTS INC. CONTAINS PROPRIETARY INFORMATION AND MUST NOT BE COPIED, REPRODUCED, OR USED DETRIMENTALLY TO OUR INTEREST.